



**Putzmeister**



# 16 H LS (Low Stroke)

The low-wear, high-performance concrete pump

Putzmeister Concrete Pumps GmbH |  
P.O. Box 2152 | 72629 Aichtal | Tel. +98  
224 286 75-8 | Fax +98 224 228 78 | +98  
0912 8 584 584  
kormit.abedi@yahoo.com Right to  
make amendments reserved | © by  
Putzmeister | All rights reserved |  
Printed in Germany | 1707  
www.saghargostar-co.ir

# Its sustained power is derived from smooth operation

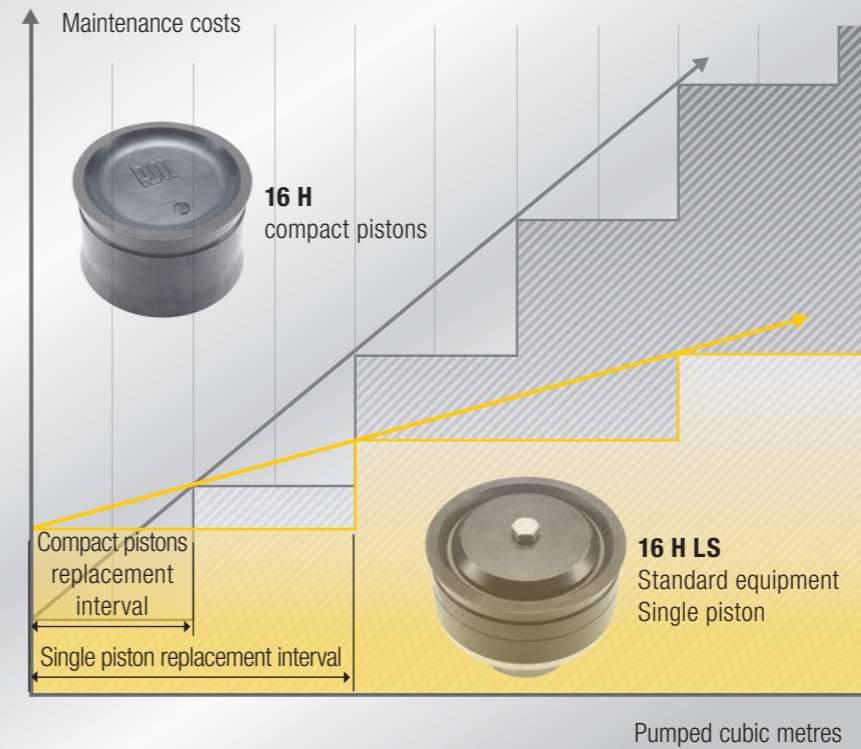
## Anything but average – the size of the diameter

Suitable pumps with a variety of concrete pressures and outputs are available to you for Putzmeister truck-mounted concrete pumps. These include the high-performance 16 H and 16 H LS. The low-stroke (LS) variant shows its strength in particular during demanding continuous operation. It has quite a few features to confront the challenges of wear-intensive concrete.

The prominent feature of the 16 H LS is the comparatively larger-sized cylinder diameter, which allows a lower number of strokes. In addition, we have equipped the 16 H LS exclusively with particularly long-lasting single pistons. Therefore, the earlier you decide in favour of a truck-mounted concrete pump with a 16 H LS dual-piston pump, the sooner you will start to save money. We are happy to explain why that is so by showing you our calculations.

## Higher cylinder volume = strokes and less wear

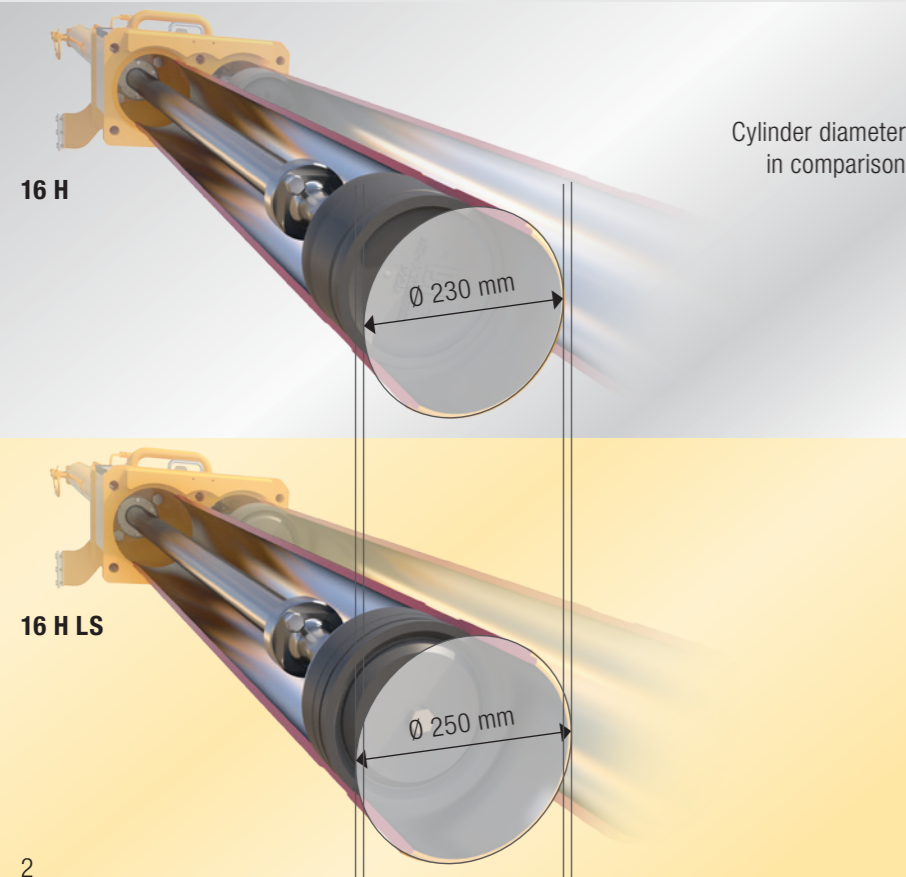
This calculation principle holds true because, given a large-sized cylinder diameter and the associated high cylinder volume, the pump requires fewer strokes to achieve a comparable output. And with fewer strokes, wear is automatically reduced, especially in the case of very abrasive concrete mixes. Service life is prolonged, which in turn means maximum economic operation for you.



## Single pistons for long-lasting thrust

We equip all 16 H LS pumps with single pistons as standard. Using these high-quality pistons, you save more than 50 per cent of the operating costs in comparison to compact pistons. Now that is what we call efficient concrete delivery:

- **More economical under all conditions of use**
- **Service life that is 2 to 3 times longer compared to compact pistons**
- **Especially suitable for high pressures and abrasive types of concrete**
- **Lower wear costs and a higher level of machine availability**



## Fewer strokes = smoother operation and less wear

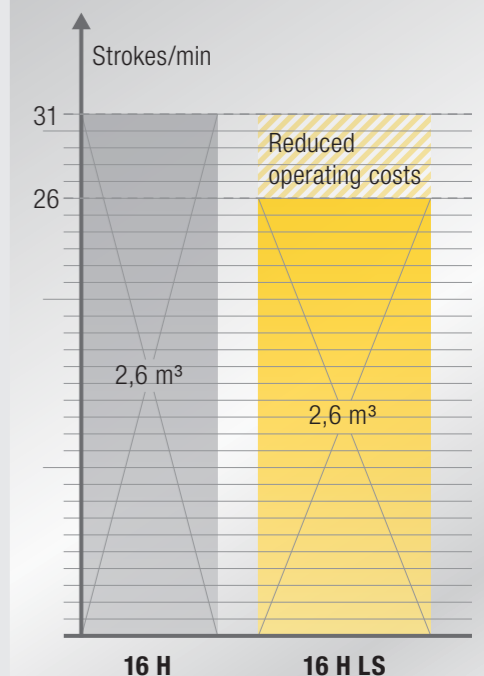
The same performance with fewer strokes means smoother operation. The entire machine is placed under less stress due to the lower switch-over frequency, and the boom remains steadier. Consequently, the end hose can, amongst other things, be guided more easily under higher output, resulting in more efficient concrete placement.

Putzmeister Concrete Pumps GmbH | P.O. Box 2152 | 72629 Aichtal | Tel. +98 224 286 75-8 | Fax +98 224 228 78 | +98 0912 8 584 584 kormit.abedi@yahoo.com Right to make amendments reserved | © by Putzmeister | All rights reserved | Printed in Germany | 1707 www.saghargostar-co.ir

## Compare the 16 H and the 16 H LS

The geometry of Putzmeister concrete pumps was designed for all current types of concrete. That is because delivery and drive cylinders operate in optimum harmony with one another, and in combination with all other components, they can master any challenge. Details such as long-life delivery pistons, chrome-plated delivery cylinders as standard and the design of the S transfer tube provide a substantial contribution towards this capability.

	16 H	16 H LS
<b>Delivery rate</b>	160 m <sup>3</sup> /h	160 m <sup>3</sup> /h
<b>Pressure</b>	85 bar	85 bar
<b>Stroke</b>	2100 mm	2100 mm
<b>Cylinder dia.</b>	230 mm	<b>250 mm</b>
<b>Strokes/min</b>	31	<b>26</b>



# The 16 H LS at a glance

- **Larger-sized cylinder diameter for fewer strokes, which offers:**

- Reduced machine and boom dynamics
- Smoother operation, reduces machine stress
- Less wear
- Lower fuel consumption
- Long service life
- Fast amortisation through reduced operating costs
- Smoother pumping
- Limited mast vibrations

- **Particularly suitable for high-performance continuous operation and abrasive concrete**

- **Longer service life as a result of single pistons**

Subject to technical modifications and errors © by Putzmeister Concrete Pumps GmbH 2017 All rights reserved Printed in Germany (1707Sc) CT4629-2 EN



## Putzmeister Concrete Pumps GmbH

Max-Eyth-Straße 10 · 72631 Aichtal / Germany  
P.O. Box 2152 · 72629 Aichtal / Germany  
Tel. +49 (7127) 599-0 · Fax +49 (7127) 599-520  
pmw@pmw.de · www.putzmeister.com



Putzmeister Concrete Pumps GmbH | P.O. Box 2152 | 72629 Aichtal | Tel. +98 224 286 75-8 | Fax +98 224 228 78 | +98 0912 8 584 584 kormit.abedi@yahoo.com Right to make amendments reserved | © by Putzmeister | All rights reserved | Printed in Germany | 1707  
www.saghargostar-co.ir